

# HELIUM MAJOR DOWNLIGHT






## APPLICATIONS

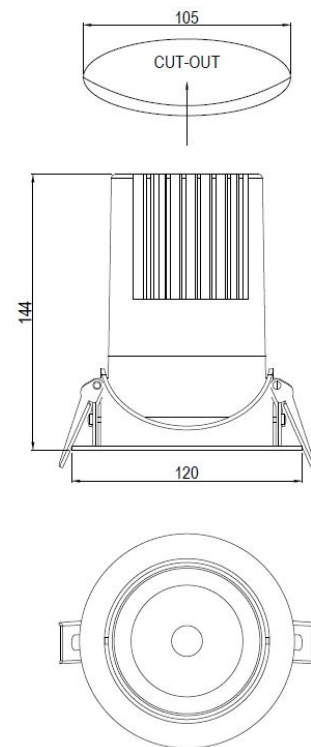
- Commercial
- Offices
- Hallways
- Retail
- Hospitality

## FEATURES

- Excellent heat dissipation with a re-engineered heat sink
- Lens based optical system for superior beam control
- Setback light source with black internal ring for low glare
- High quality Bridgelux LED
- Locally sourced driver
- The black baffle helps reduce glare, while the white blends into the ceiling

## TECHNICAL DATA

LED WATTS	25W   35W
COLOUR TEMP	2700 K   3000 K   4000 K
LUMENS	2000lm or 3000lm
IP RATING	IP44
BEAM ANGLE	15°   24°   36°   52°
TILTING ANGLE	20° adjustable
CRI	> 90
MOUNTING	Recessed
MATERIALS	Aluminium
OPERATING TEMP	-20°C ~ 40°C
INSULATION CONTACT RATING	IC-4
SERVICE LIFE	L90 B10 = 50,000 hrs
DIMMING	Non-dim   DALI dim   Phase Cut   Bluetooth dim
DIMENSIONS	ø 120 mm x 144 mm
WARRANTY	5 Years
CUTOUT	ø 105 mm
TRIM FINISH	   Baffle available in Black or White White    Black    Grey



## POLAR CURVES

